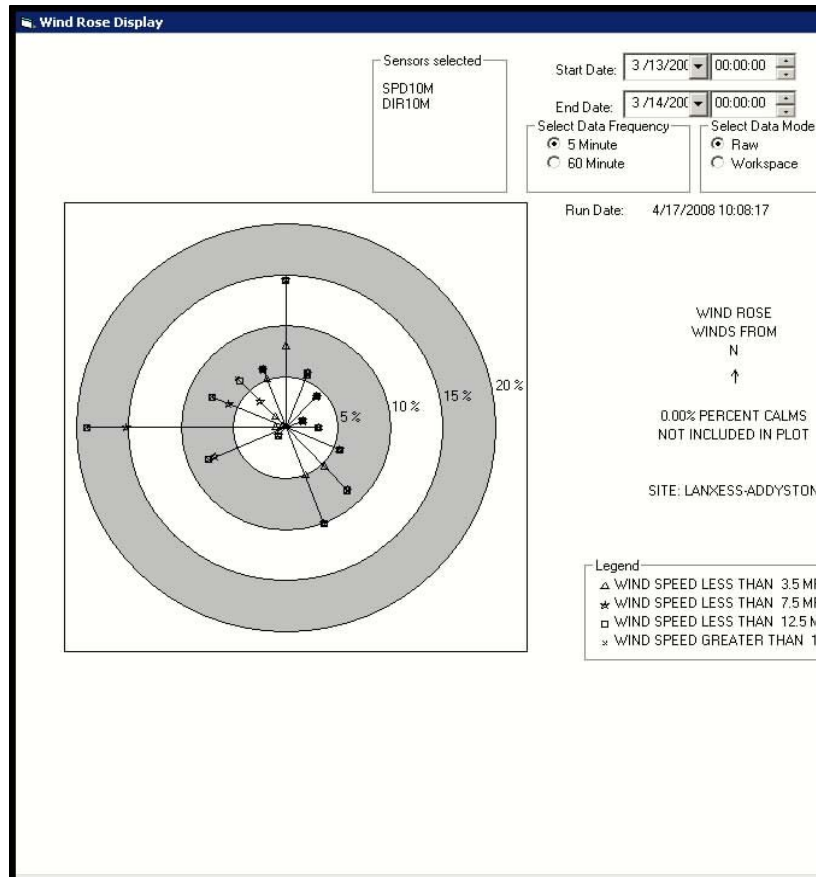


Date & Time	Wind Speed, mph	Calm, <0.5 mph	Wind Direction "From", in degrees from True North
3/13/08 0:00	2.2		115
3/13/08 1:00	2.1		128
3/13/08 2:00	3.2		148
3/13/08 3:00	3.6		155
3/13/08 4:00	3.7		148
3/13/08 5:00	2.1		120
3/13/08 6:00	1.5		071
3/13/08 7:00	1.4		036
3/13/08 8:00	1.7		004
3/13/08 9:00	4.1		330
3/13/08 10:00	9.3		307
3/13/08 11:00	7.1		277
3/13/08 12:00	6.6		276
3/13/08 13:00	5.8		266
3/13/08 14:00	6.7		249
3/13/08 15:00	6.5		264
3/13/08 16:00	6.9		267
3/13/08 17:00	6.0		272
3/13/08 18:00	5.1		270
3/13/08 19:00	2.7		328
3/13/08 20:00	1.4		016
3/13/08 21:00	1.3		030
3/13/08 22:00	1.3		052
3/13/08 23:00	4.2		353
3/14/08 0:00	4.6		358

Avg	4.0	0
Min	1.3	
Max	9.3	
Std Dev	2.3	



Start Date: 3/13/2008 00:00:00

End Date: 3/14/2008 00:00:00

Select Data Frequency
 5 Minute
 60 Minute

Select Data Mode
 Raw
 Workspace

Run Date: 4/17/2008 10:08:17

WIND ROSE
WINDS FROM
N
↑

0.00% PERCENT CALMS
NOT INCLUDED IN PLOT

SITE: LANXESS-ADDYSTON

- Legend
- △ WIND SPEED LESS THAN 3.5 MPH
 - * WIND SPEED LESS THAN 7.5 MPH
 - WIND SPEED LESS THAN 12.5 MPH
 - ⊳ WIND SPEED GREATER THAN 12.5 MPH

20 %