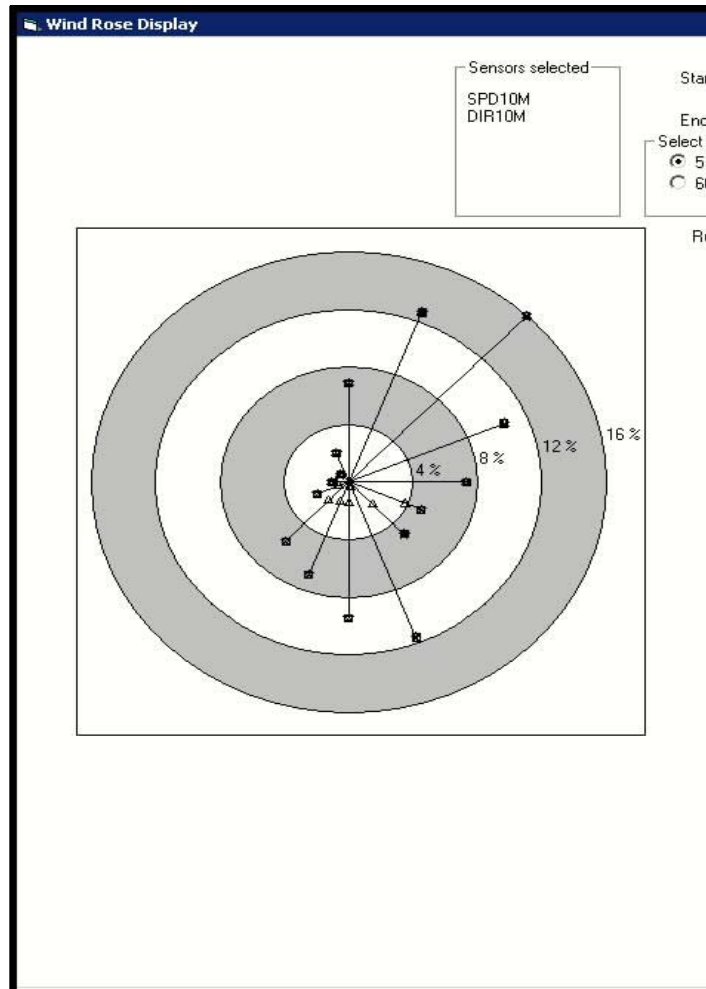


Date & Time	Wind Speed, mph	Calm, <0.5 mph	Wind Direction in degrees from True North
5/19/09 0:00	1.1		060
5/19/09 1:00	0.9		057
5/19/09 2:00	1.2		063
5/19/09 3:00	1.2		035
5/19/09 4:00	1.0		041
5/19/09 5:00	1.0		054
5/19/09 6:00	1.1		066
5/19/09 7:00	1.1		048
5/19/09 8:00	1.3		025
5/19/09 9:00	1.8		037
5/19/09 10:00	2.2		003
5/19/09 11:00	4.2		137
5/19/09 12:00	4.7		163
5/19/09 13:00	4.9		160
5/19/09 14:00	4.4		173
5/19/09 15:00	4.4		176
5/19/09 16:00	4.4		199
5/19/09 17:00	4.6		200
5/19/09 18:00	3.7		205
5/19/09 19:00	3.5		209
5/19/09 20:00	2.8		161
5/19/09 21:00	1.4		032
5/19/09 22:00	1.0		039
5/19/09 23:00	1.1		065
5/20/09 0:00	1.0		052

Avg	2.4	0
Min	0.9	
Max	4.9	
Std Dev	1.5	



Sensors selected

SPD10M
DIR10M

Start Date: 5 /19/2009 00:00:00

End Date: 5 /20/2009 00:00:00

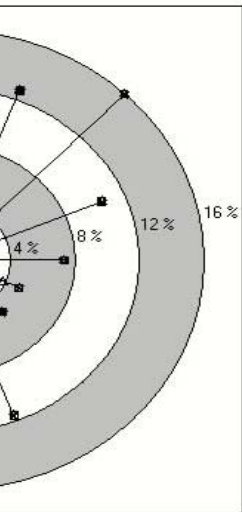
Select Data Frequency

- 5 Minute
- 60 Minute

Select Data Mode

- Raw
- Workspace

Run Date: 6/8/2009 16:39:47



WIND ROSE
WINDS FROM

N



0.35% PERCENT CALMS
NOT INCLUDED IN PLOT

SITE: LANXESS-ADDYSTON

Legend

- △ WIND SPEED LESS THAN 3.5 MPH
- * WIND SPEED LESS THAN 7.5 MPH
- WIND SPEED LESS THAN 12.5 MPH
- ⊛ WIND SPEED GREATER THAN 12.5 MPH